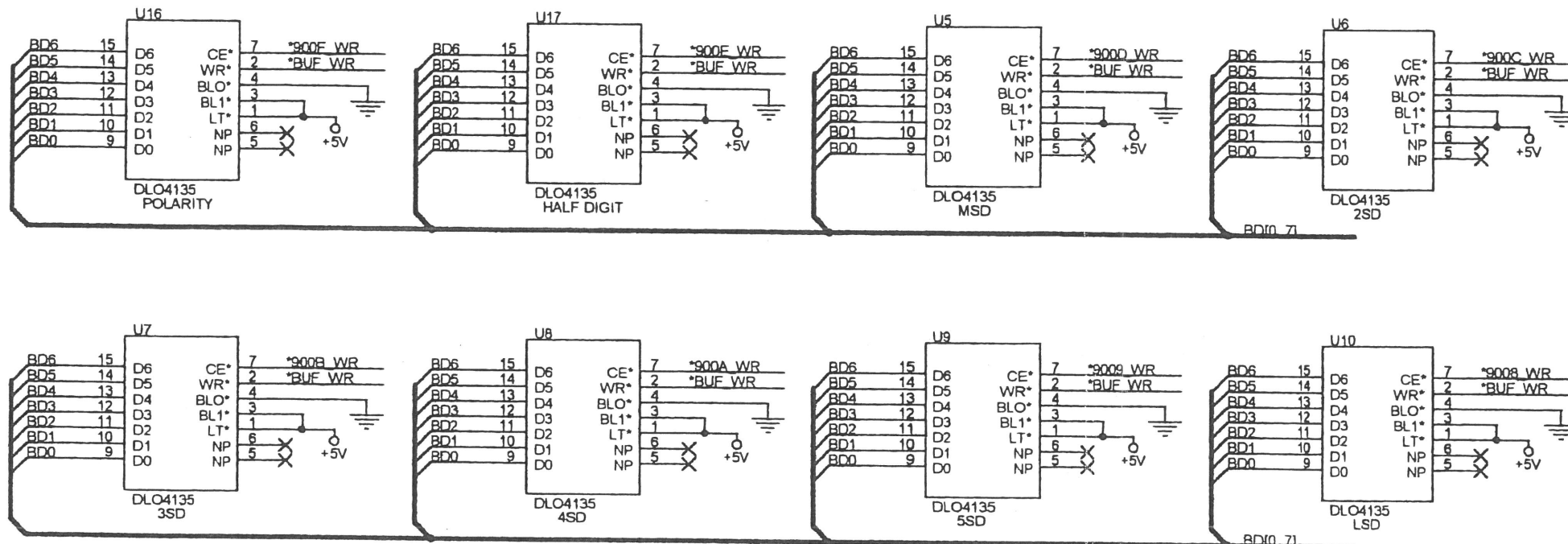


NOTE: FOR 117 VAC LINE USE 3/4 A SLOWBLOW FUSE
FOR 230 VAC LINE USE 1/2 A SLOWBLOW FUSE

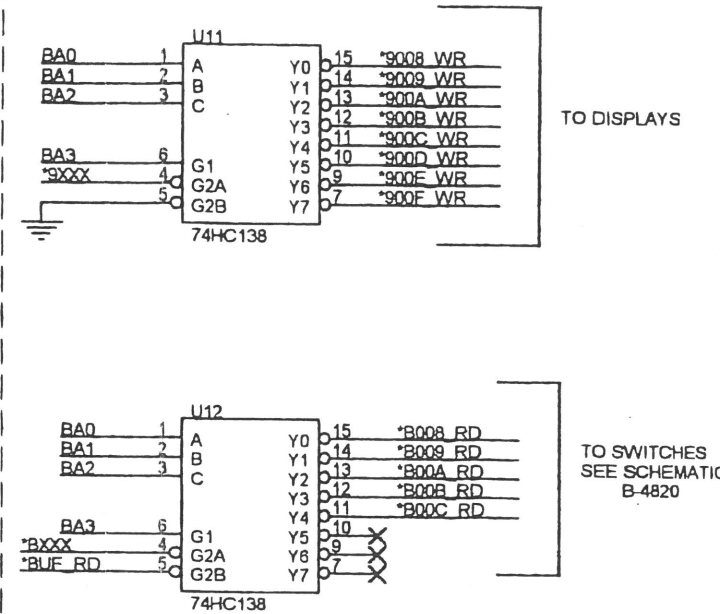


ELECTRONIC DEVELOPMENT COMPANY <small>Division of Radio-Pac</small>		255 BODWELL STREET AVON, MA 02322 (508) 580-1660 WWW.ElectronicDevelopment.com	
Title			
522 POWER SUPPLY			
Size	Document Number		Rev
B	B-4615		B
Date:	Friday, February 25, 2000	Sheet	1 of 1

DISPLAYS

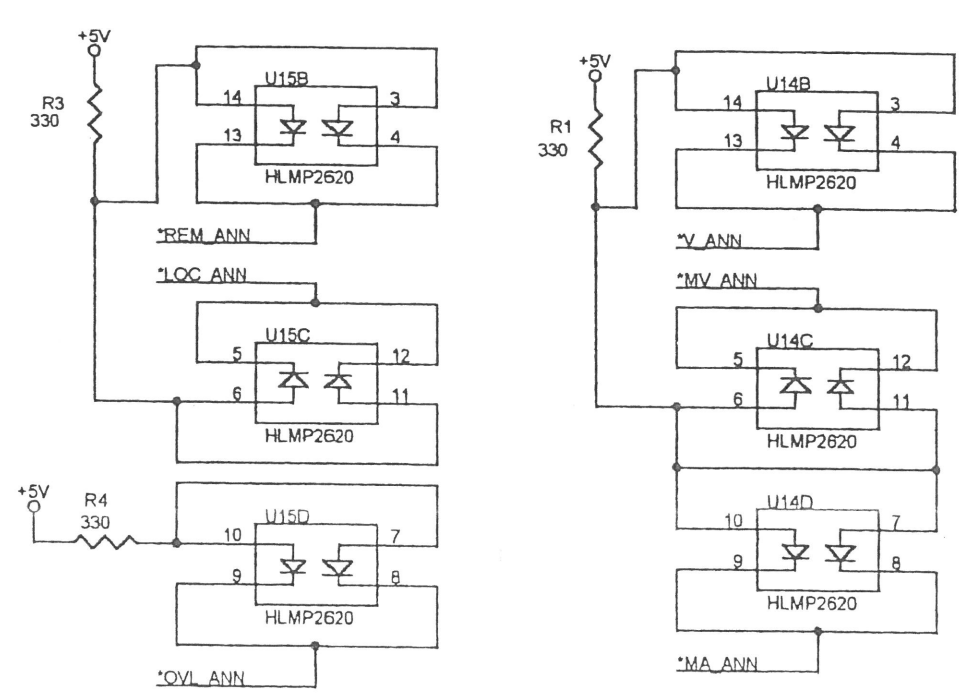


ADDRESS DECODERS

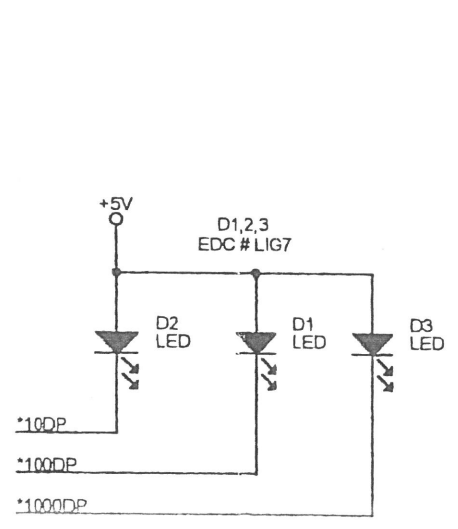


REF DES	TYPE	PINS	GND PIN	+5V PIN
U5-10,16,17	DLO4135	20	8	16
U11,12	74HC138	16	8	16

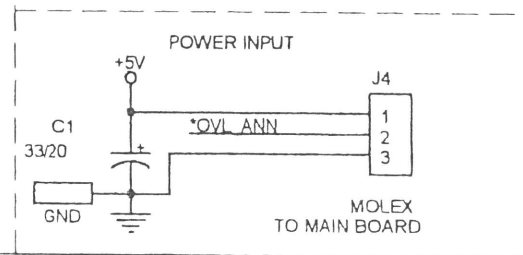
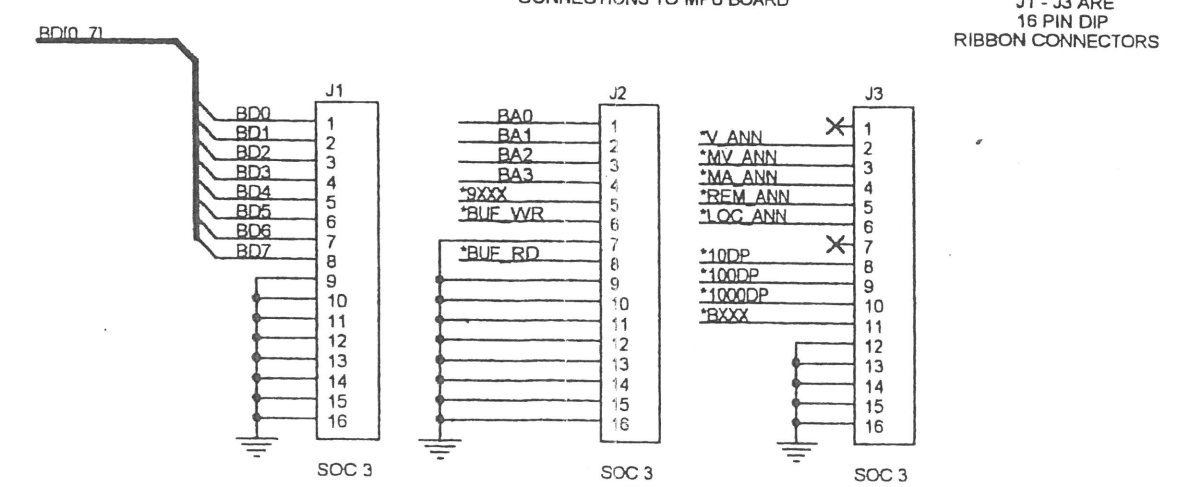
DISPLAY ANNUNCIATORS



DECIMAL POINT LEDS



CONNECTIONS TO MPU BOARD

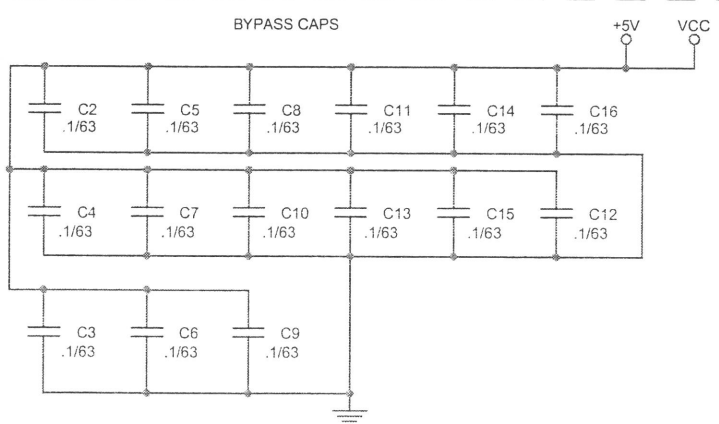
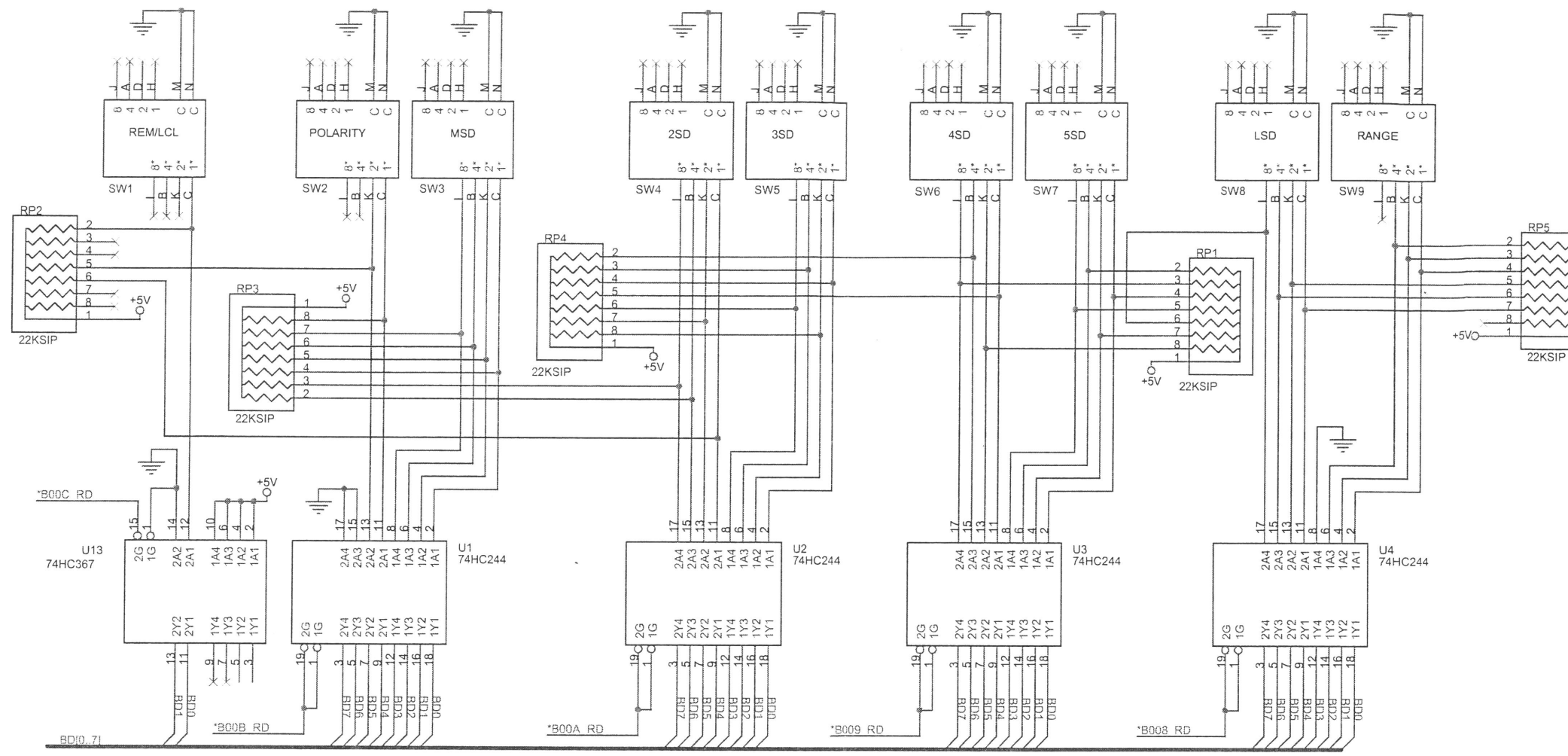


ELECTRONIC DEVELOPMENT COMPANY
 Division of Kierulff-Hite
 (508) 580-1660
 WWW.ElectronicDevelopment.com

522 CONTROL BOARD (DISPLAYS)

Document Number: B-4819
 Rev: A

Date: Wednesday, November 10, 1999 Sheet 1 of 1



SEE SCHEMATIC B-4819 FOR DISPLAYS

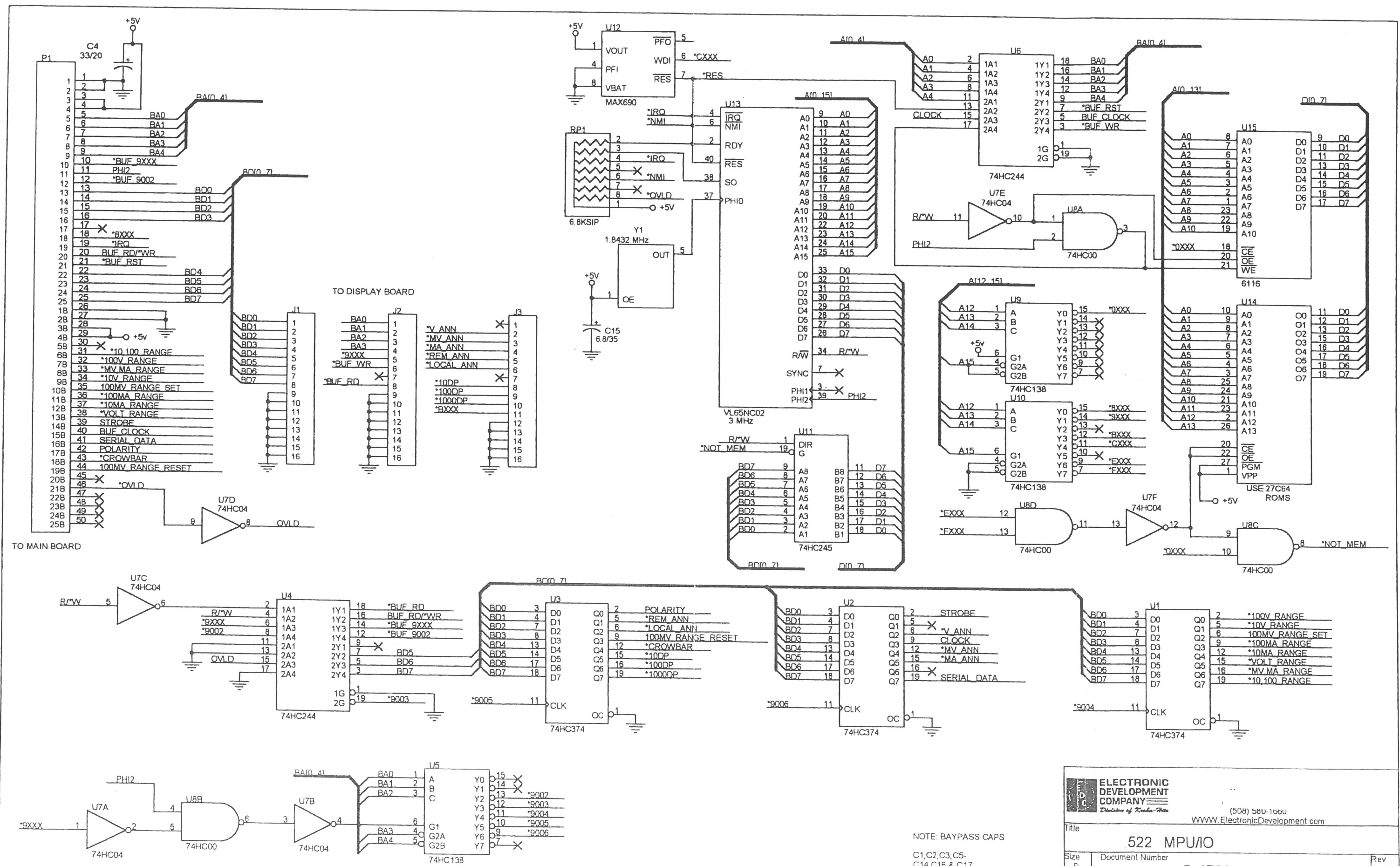
REF DES	TYPE	PINS	GND PIN	+5V PIN
U1,2,3,4	74HC244	20	10	20
U13	74HC367	16	8	16

ELECTRONIC DEVELOPMENT COMPANY
 255 BODWELL STREET
 AVON, MA 02322
 (508) 580-1660
 WWW.ElectronicDevelopment.com

Title: **522 CONTROL BOARD (SWITCHES)**

Size B Document Number **B-4820** Rev A

Date: Friday, February 25, 2000 Sheet 1 of 1



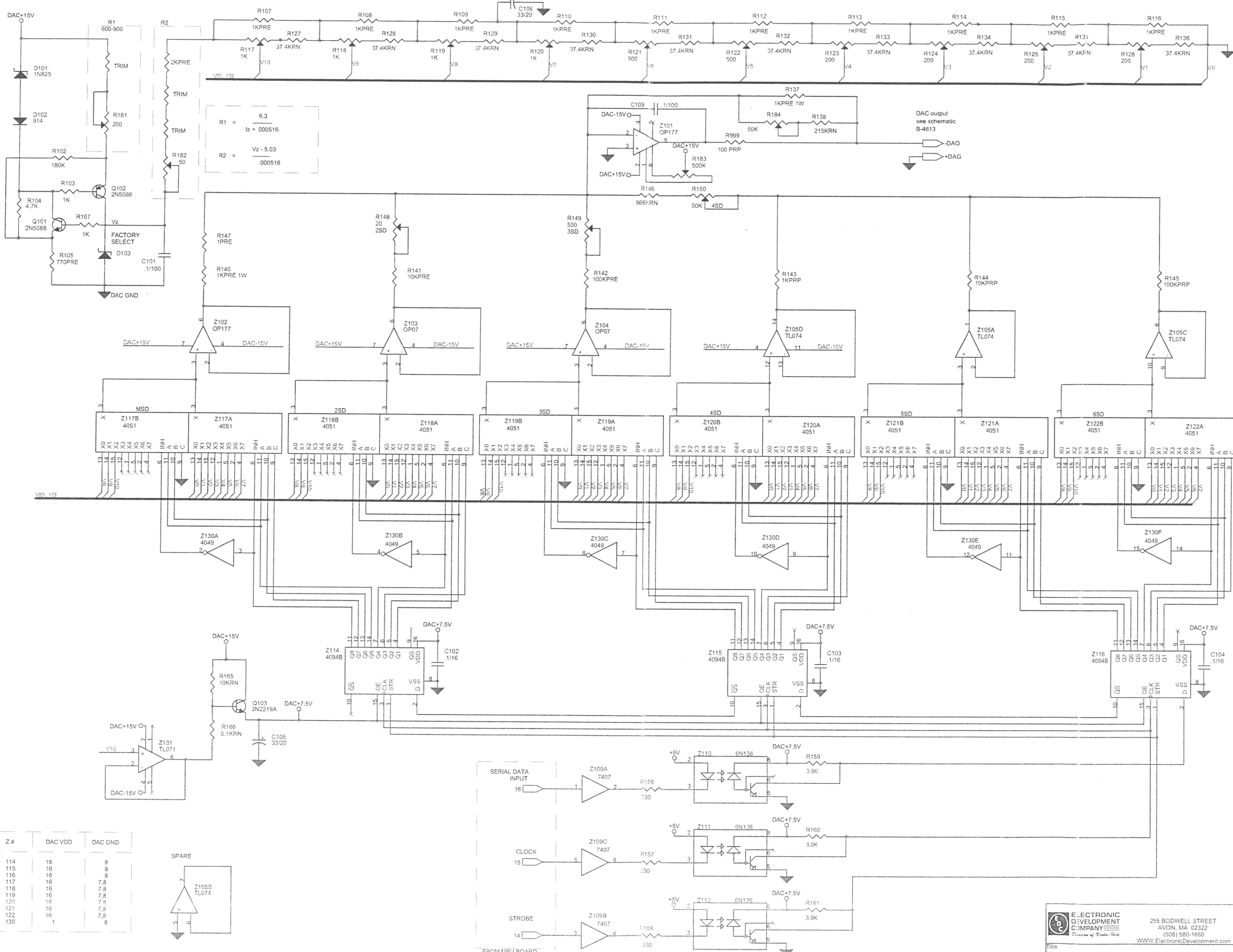
NOTE: BAYPASS CAPS
 C1, C2, C3, C5-
 C14, C16, & C17
 ARE 1/50

ELECTRONIC DEVELOPMENT COMPANY
 (508) 580-1860
 WWW.ElectronicDevelopment.com

Title: **522 MPU I/O**

Size: B Document Number: **B-4763** Rev: A

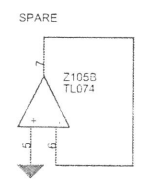
Date: Wednesday, November 10, 1999 Sheet 1 of 1




$$R1 = \frac{6.3}{Iz + .000516}$$

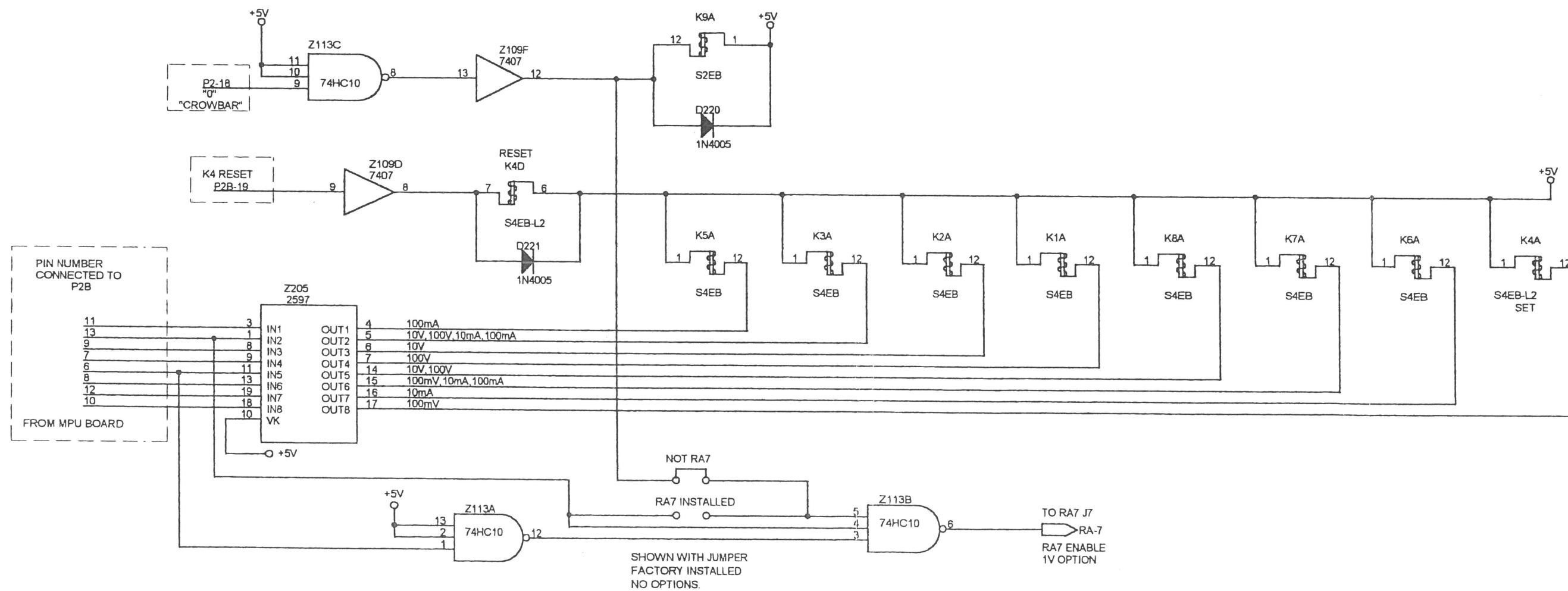
$$R2 = \frac{Vz - 5.03}{.000516}$$

Z#	DAC VDD	DAC GND
114	16	8
115	16	8
116	16	8
117	16	7,8
118	16	7,8
119	16	7,8
120	16	7,8
121	16	7,8
122	16	7,8
130	1	8

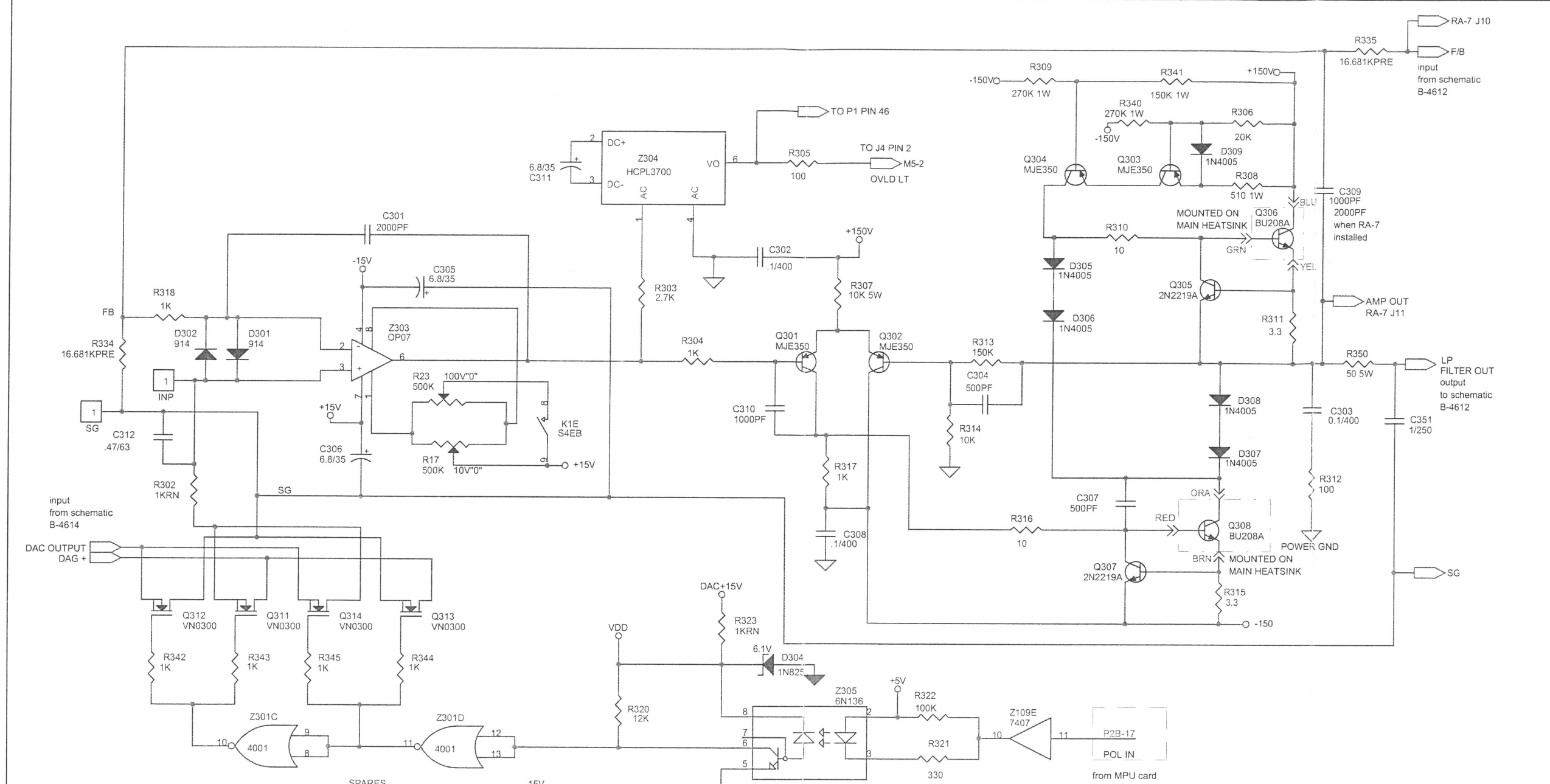



ELECTRONIC DEVELOPMENT COMPANY
 255 BODWELL STREET
 AVON, MA 02322
 (508) 580-1650
 WWW.ElectronicDevelopment.com

Title: **522 24 bit DAC**
 Size: C Document Number: **C-4614** Rev: **B**
 Date: Fri, Feb 25, 2000 Sheet: 1 of 1

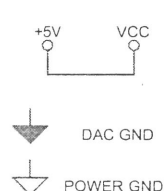
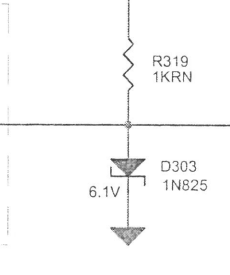
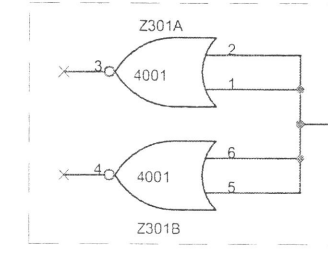


MJE350
FCB



POWER/GND PINS

IC	VCC	DIG GND	VDD	VSS
Z301 4001			14	7
Z109 7407	14	7		

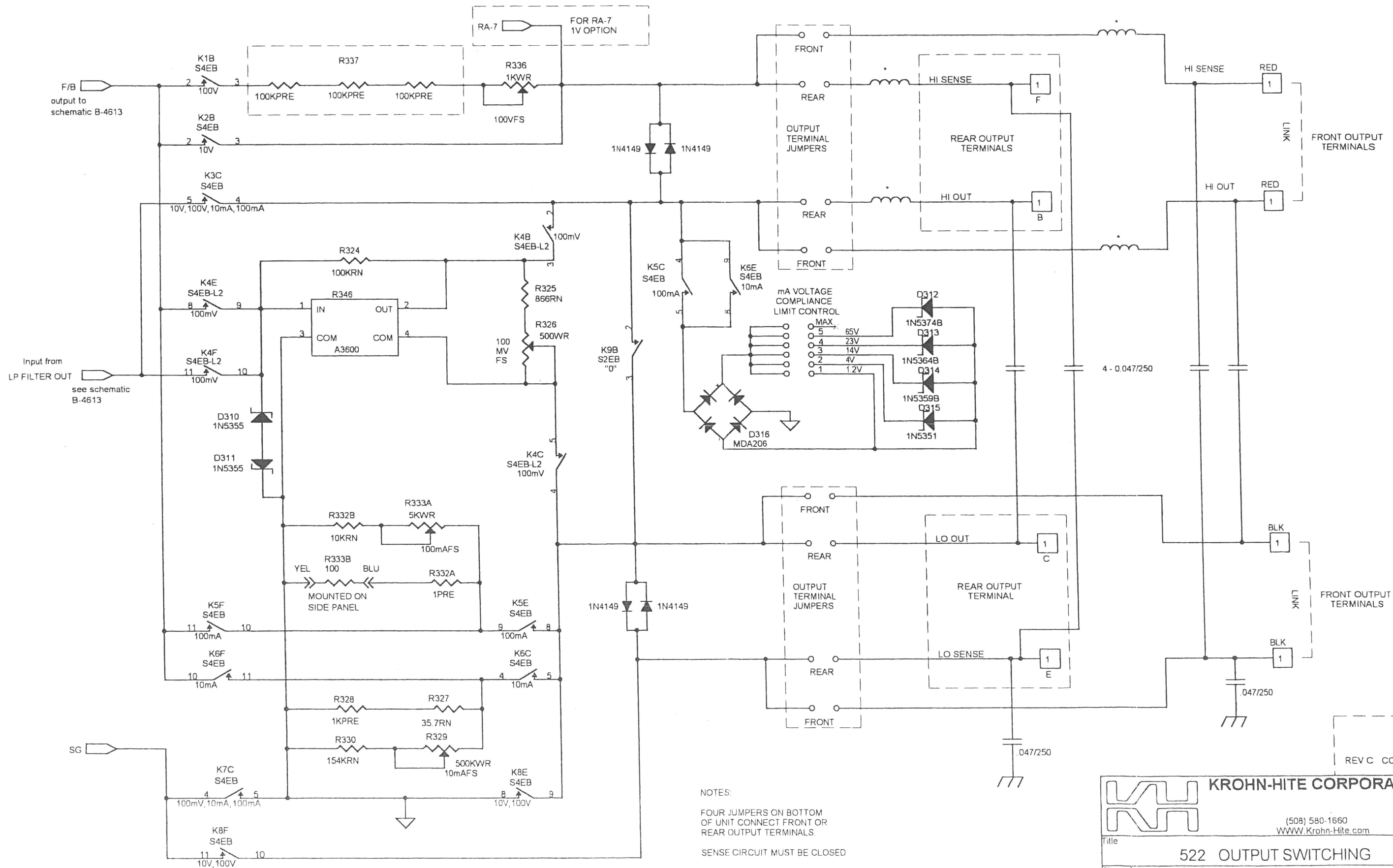


ELECTRONIC DEVELOPMENT COMPANY
 255 BODWELL STREET
 AVON, MA 02322
 (508) 580-1660
 WWW.ElectronicDevelopment.com

Title: **522 OUTPUT AMPLIFIER**

Size B Document Number **B-4613** Rev B

Date: Friday, February 25, 2000 Sheet 1 of 1



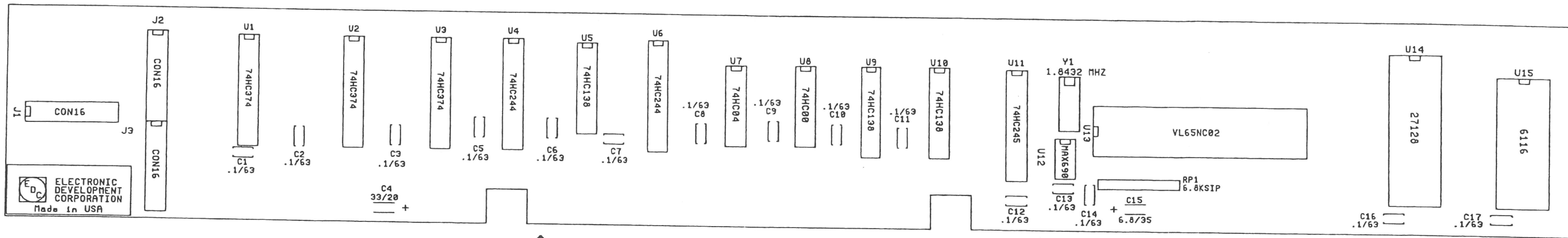
NOTES:
 FOUR JUMPERS ON BOTTOM OF UNIT CONNECT FRONT OR REAR OUTPUT TERMINALS.
 SENSE CIRCUIT MUST BE CLOSED
 * 3- SIEMENS B62110-A3063-X022 OR 2-FAIR-RITE 2673001401 SHIELDING BEADS

REV C CO 5227


KROHN-HITE CORPORATION
 (508) 580-1660
 WWW.Krohn-Hite.com

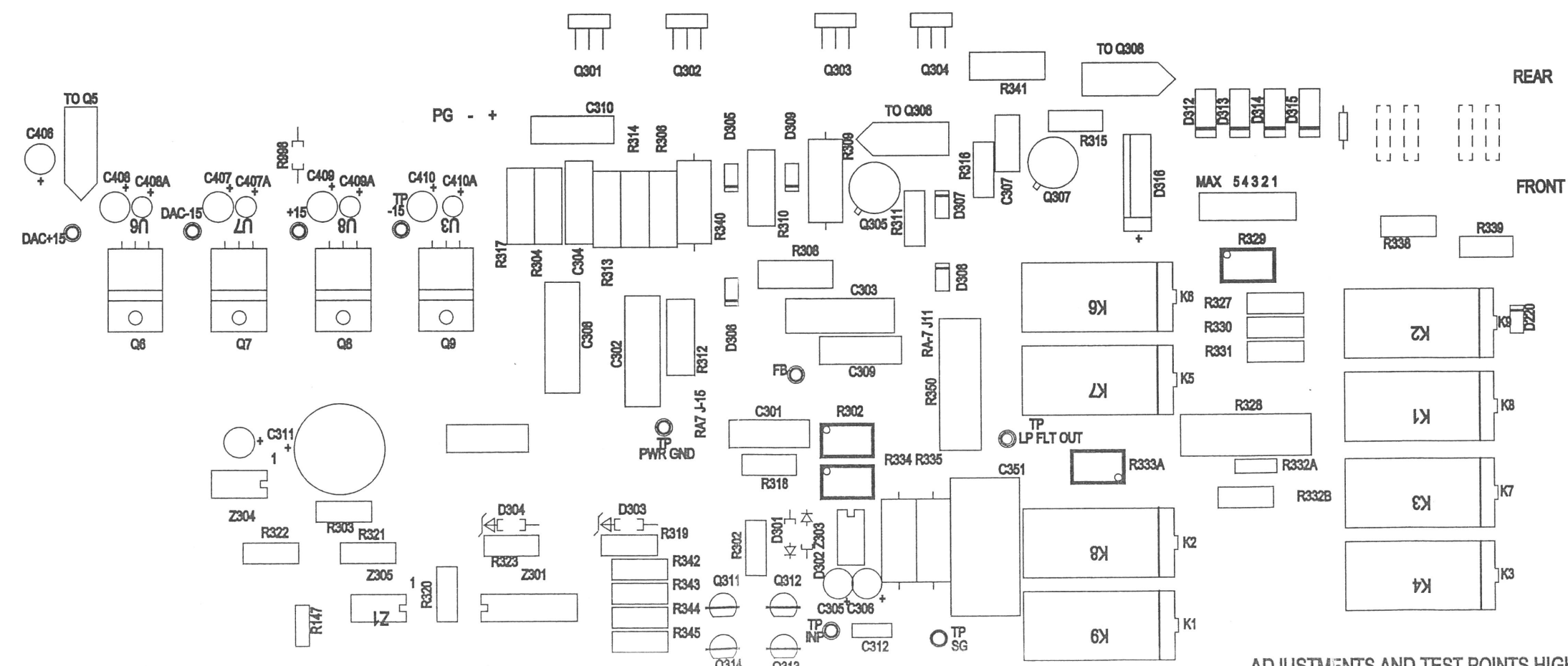
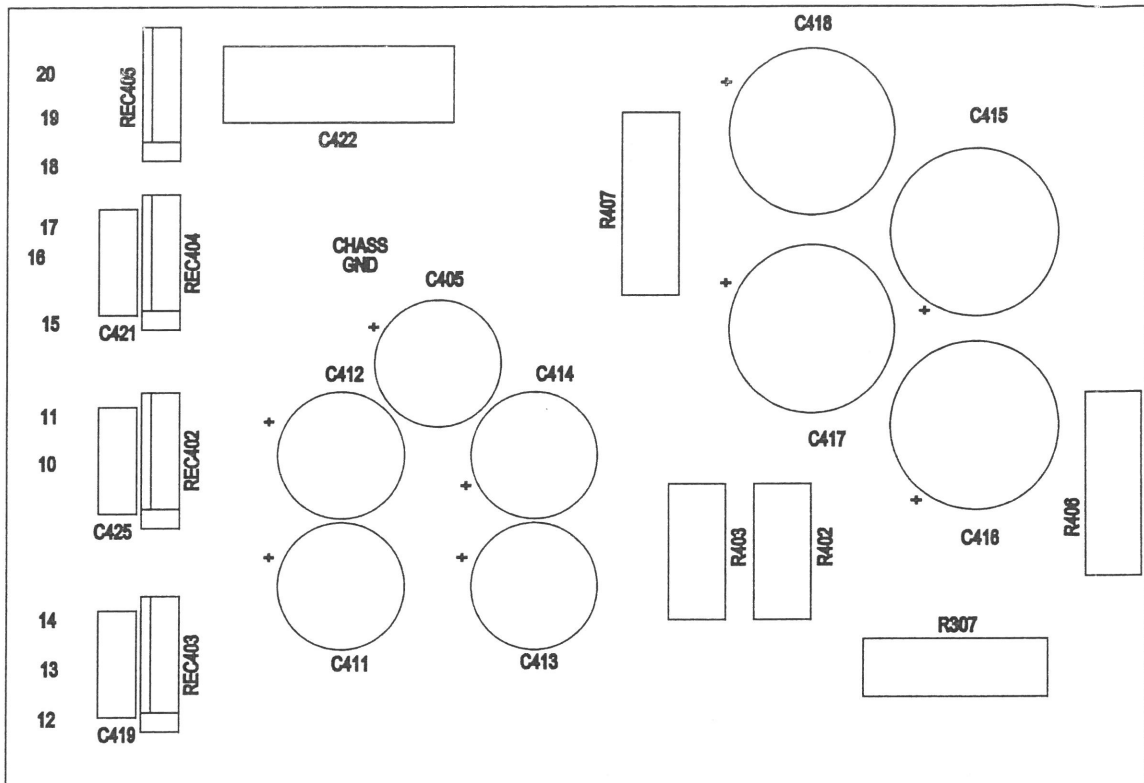
522 OUTPUT SWITCHING

Title	522 OUTPUT SWITCHING		Rev	C
Size	B-4612		Date	Wednesday, February 07, 2001
Document Number			Sheet	1 of 1



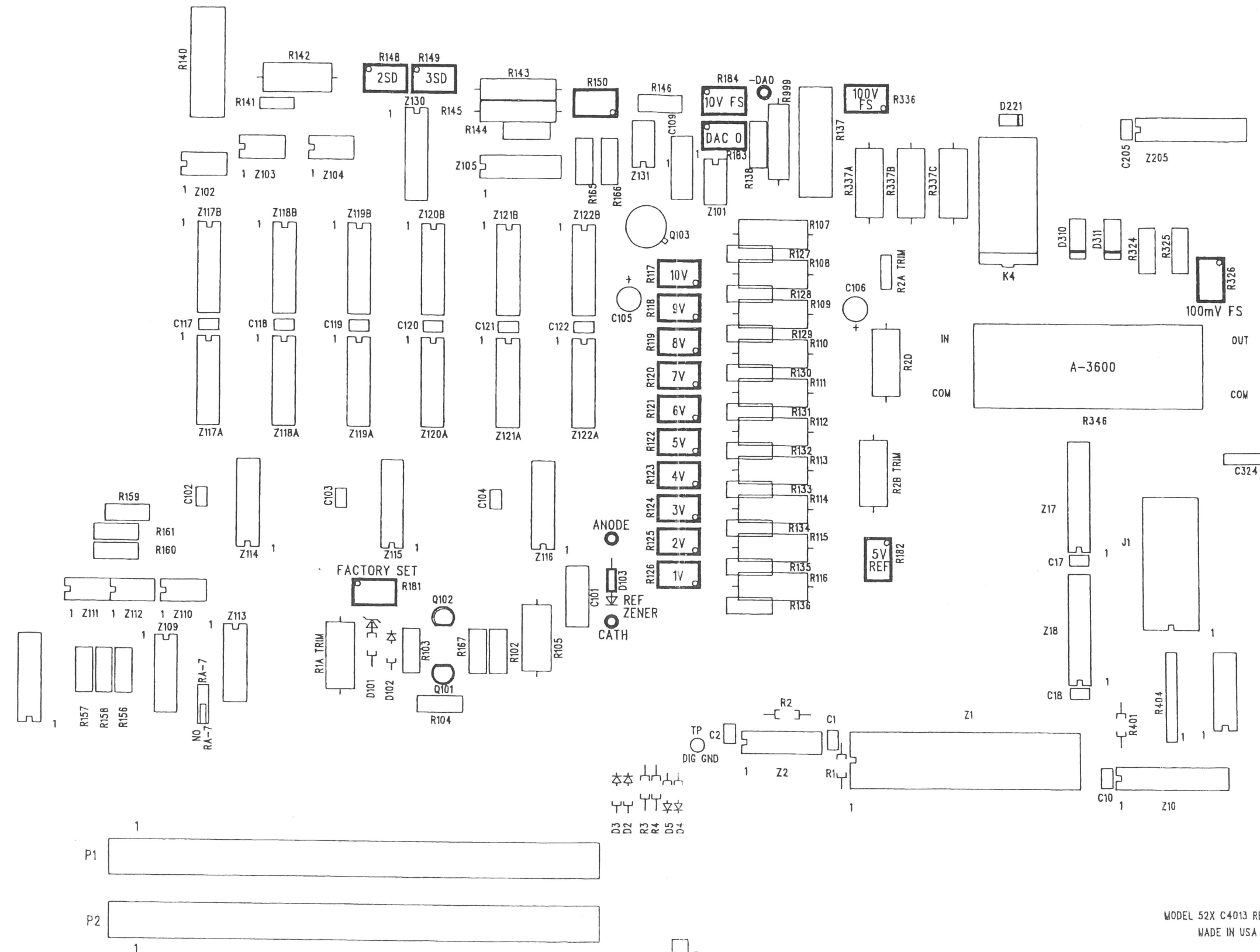
↑
pin 1 on solder side
pin 26 on component side

	ELECTRONIC DEVELOPMENT COMPANY	
	TITLE: 522 MPU BOARD LAYOUT	
	Layout Document number: B-4765	
	DATE: MARCH 1, 1999	REV. A




ADJUSTMENTS AND TEST POINTS HIGHLIGHTED

	ELECTRONIC DEVELOPMENT COMPANY <small>A DIVISION OF KROHN-HITE CORP.</small>		TITLE MOTHER BOARD COMPONENT LAYOUT	
	MODEL 521/522	DATE 9-22-99	DWG NO. B4630	REV I



MODEL 52X C4013 REV I
MADE IN USA

ADJUSTMENTS AND TEST POINTS HIGHLIGHTED

 ELECTRONIC DEVELOPMENT COMPANY A DIVISION OF KROHN-HITE CORP		TITLE MOTHER BOARD COMPONENT LAYOUT	
MODEL	DATE	DWG NO.	REV
521/522	9-22-99	B4631	I